

Dagangan : CANDY FLOSS MACHINE

Nama Perdagangan : Candy Floss Machine

Jenama : SYBO

Model : ET-MF01 (Ø520)

Kod Tarif (Perintah Duti Kastam 2012) :

8419.81 000

Tarikh Kelulusan : 13 Mac 2015

Berdasarkan maklumat barangan dikenali sebagai candy floss machine. Ia adalah merupakan peralatan elektrik. Berdasarkan maklumat pemohon barangan *ideal for snack foodshop, shopping centre, town fair, car boot sales, kid party and catering outlets..*

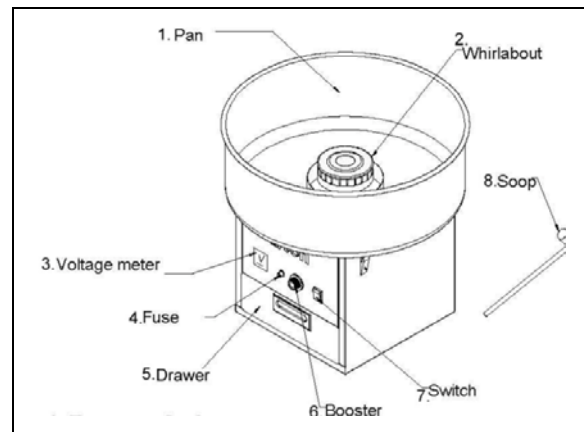
Barangan seperti photo dibawah.



Keterangan dan spesifikasi barangan berdasarkan maklumat yang dikemukakan adalah seperti berikut :

Items	Specification
Product Name	Candy Floss Machine
Model	ET-MF01(0520)
Dimension(mm)	520x520x500
Voltage (v/Hz)	220/50
Power(w)	1030
Electric motor power	80W
Composition of the goods	Stainless steel body/pan , Stainless steel bowl

Structure of machine:-



Berdasarkan keterangan pemohon, cara berfungsi barangan adalah dengan memanaskan *bowl* tersebut mengikut kepanasan yang diperlukan. Gula akan dimasukkan kedalam *bowl/pan*. Dalam beberapa ketika *cotton candy* akan terhasil. *Bamboo stick* digunakan untuk combine in turn on the above of the dish to revolve the formation candy floss. Suhu boleh dikawal melalui *temperature controller* yang terdapat pada barangan tersebut.

Barangan adalah merupakan peralatan elektrik dan diimport didalam keadaan pasang siap.

Bentuk fizikal barangan bersesuaian dengan kegunaan komersil dan bukannya kegunaan *household / domestic use*.

Barangan ini sesuai diperjeniskan di bawah kod tarif **8419.81 000** sebagai ***equipment for cooking or heating food*** berdasarkan fakta-fakta dan keterangan di atas.

Barangan ini mendapat liputan dalam ENHS 2012 mukasurat XVI-8419-1 seperti berikut:

84.19 - *Machinery, plant or laboratory equipment, whether or not electrically heated (excluding furnaces, ovens and other equipment of heading 85.14), for the treatment of materials by a process involving a change of temperature such as **heating, cooking**, roasting, distilling, rectifying, sterilising, pasteurising, steaming, drying, evaporating, vaporising, condensing or cooling, other than machinery or plant of a kind used for domestic purposes; instantaneous or storage water heaters, non-electric*
- Other machinery, plant and equipment :

841 9.81 - - *For making hot drinks or for **cooking or heating food***

The following are examples of machinery and plant which, subject to the provisions referred to above, are covered by Part (I) of this Explanatory Note :

.....

(17) *Specialised heating or cooking apparatus which are not normally used in the household (e.g., counter-type coffee percolators, tea or milk urns, steam kettles, etc., used in restaurants, canteens, etc.; steam-heated cookers, hot-plates, warming cupboards, drying cabinets, etc.; deep-fat friers).*