

Dagangan : RIGID TRUCK (CBU)

Nama Barangan : Rigid Truck (CBU)

Jenama : IVECO

Model : 682 DC330G38H

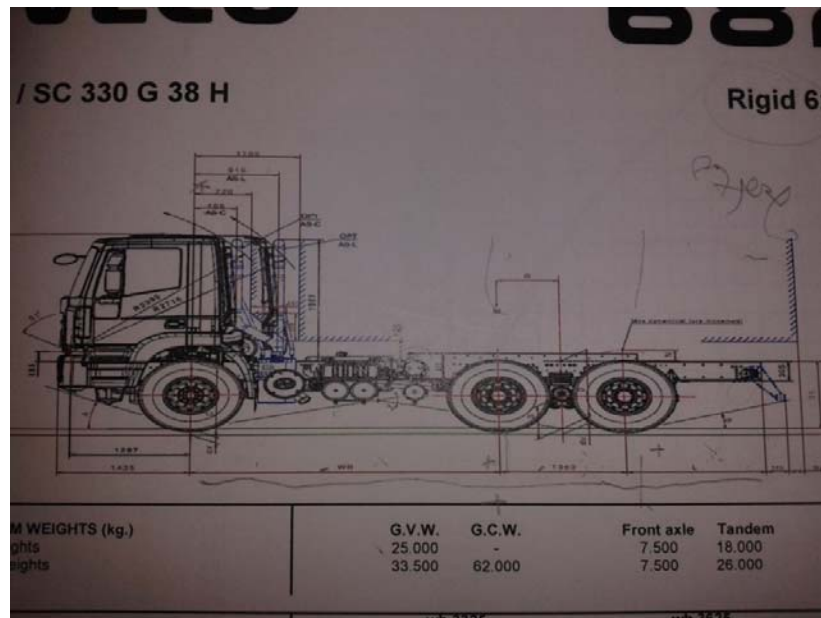
Kod Tarif (Perintah Duti Kastam 2012) :

8704.23 210

Tarikh Kelulusan : 02 Mac 2015

Barangan adalah sebuah kenderaan baru, diimport secara lengkap atau *complete built up (CBU)* yang digunakan untuk mengangkut barang.

Gambarajah kenderaan ini adalah seperti di bawah :



Spesifikasi barangan adalah seperti berikut :

| | |
|------------------------------------|---|
| Model | IVECO 682 – DC /SC 330 G 38 H |
| Engine Type | Cursor 9 F2CE0681B |
| Fuel | Diesel |
| Displacement (CC) | 8,709 |
| Coupling Device (5th wheel) | None |
| Wheel Base (mm) | 3.325 |
| GVW | Legal Weight – 25000 kg Design Weight – 33500 kg |
| Axle | 3 |
| Overall length (over bumpers) (mm) | 7.235 |

Barangan tidak mempunyai *coupling device (5th wheel)*.

Barangan ini sesuai diperjeniskan di bawah kod tarif **8704.23 210** sebagai ***a new completely built up motor vehicles for the transport of goods with compression-ignition internal combustion piston engine (diesel or semi-diesel) – g.v.w. exceeding 20 tonnes.***

Barangan mendapat liputan di dalam EN 2012 muka surat XVII-8704-1

87.04 - Motor vehicles for the transport of goods.

- **Other, with compression-ignition internal combustion piston engine (diesel or semi-diesel) :**

8704.23 - - g.v.w. exceeding 20 tonnes

This heading covers in particular:

Ordinary lorries (trucks) and vans.....; delivery trucks and vans of all kinds, removal vans; lorries (trucks) with automatic discharging devise (tipping lorries(trucks) etc,); tankers; refrigerated or insulated lorries (trucks); dropframe heavy-duty lorries (trucks) with loading ramps for the transport of tanks, lifting or excavating machinery,.....; lorries (trucks) specially constructed for the transport fresh concrete, other than concrete mixer lorries.

*The classification of certain motor vehicles in this heading is determined by.....that the vehicles are designed for the transport of goods rather than for the transport of person.the classification of motor vehicles,generally vehicles having a **gross vehicles weight (g.v.w.)** rating of less than 5 tonnes.....normally used for the transport of goods.*

Pengimportan ini perlu mematuhi syarat-syarat Peraturan Kastam "Completely Knocked Down" and "Completely Built Up" (Definitions No 1) 1998.