

Dagangan : PROTECTION RELAY EXCEEDING 60V

Nama Perdagangan : Bay Controller Unit

Jenama : Siemens

Model : 6MD86

Kod Tarif (Perintah Duti Kastam 2012) :

8536.49.10 00 (PDK 2017)

Tarikh Kelulusan : 06 Julai 2017

Keterangan barangan :

Barangan dinamakan sebagai SIPROTEC Bay Controller Unit.

SIPRO 6MD86 is a control automation and protection device. It is a controller /relay designed to use in electrical networks (from medium voltage until High voltage networks) to control, monitor & protection the MV/HV switchgears.

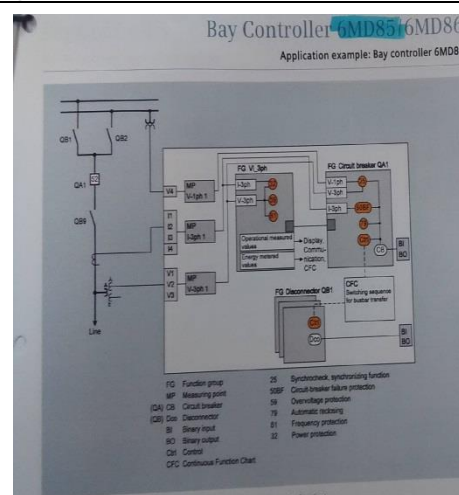
Ia adalah sejenis relay yang berupaya provides full scheme differential protection and incorporates all functions usually required for the protection of power lines.

Protection Relay 6MD86 dipasang di switchgear dan panel.

Gambar barangan adalah seperti berikut :



Gambar : SIPROTEC Bay Controller Unit



Breaker and a half topology.



Gambar : Protection Relay 6MD86 dipasang di switchgear dan panel.

Komponen utama barangan terdiri daripada :

- i. CPU (Central Processing Unit)
- ii. RAM (Random Access Memory)
- iii. Analog Card (current & voltage)
- iv. Binary Input & Output Card
- v. Diode
- vi. Resistor
- vii. Housing

Barangan dipasang kepada switch panel / switchgear cubicle di dalam power stesen.

Rated auxiliary Voltage bagi barangan ini adalah di antara 60V hingga 250V bagi DC dan 115V hingga 230 bagi AC.

Kegunaan barangan :

SIPROTEC 6MD86 ialah sejenis peranti iaitu relay yang berfungsi as a controller/relay designed for use in electrical networks from medium Voltage until High Voltage Networks to control, monitor and protection the MV/HV switchgear. Kegunaan barangan adalah to provide full scheme differential protection dan dilengkapi dengan semua fungsi yang diperlukan bagi melindungi (protection) of the power lines.

Ketua Pengarah Kastam Malaysia memutuskan barangan ini sesuai diperjeniskan di bawah kod tariff **8536.49. 10 00 (PDK 2017)** sebagai **digital relay for a voltage exceeding 60V** berdasarkan alasan-alasan berikut

Barangan SIPROTEC 6MD86 Bay Controller Unit is a control, automation and protection device. Ia adalah sejenis peranti iaitu relay yang berfungsi as a controller/relay designed for use in electrical networks (from medium Voltage until High Voltage Networks) to control, monitor and protection the MV/HV switchgear.

Rated auxiliary Voltage bagi barangan ini adalah di antara 60V hingga 250V bagi DC dan 115V hingga 230 bagi AC. (rujuk kandungan 3)

Berdasarkan fungsi, nilai voltage dan ampere barangan, ia sesuai diperjeniskan di bawah kepala 85.36 yang mendapat liputan dalam EN HS 2017 mukasurat XVI-8536-1 dan XVI-8536-2 seperti berikut :

85.36 - Electrical apparatus for switching or protecting electrical circuit, or for making connections to or in electrical circuits (for example, switches, relay, fuses, surge suppressors, plugs, socket, lamp-holder and other connectors, junction boxes), for a voltage not exceeding 1,000 volts;

.....
- Relays :

8536.41 - - For a voltage not exceeding 60 V

8536.49 - - Other

8536.50 - Other switch
.....

This heading covers electrical apparatus for a voltage not exceeding 1,000 volts generally used for dwelling or industrial equipment. However, heading 85.35 covers the apparatus described below for a voltage exceeding 1,000 volts. This heading also cover connectors for optical fibres, optical fibre bundles or cables.

(I) APPARATUS FOR SWITCHING ELECTRICAL CIRCUITS

These apparatus consist essentially of devices for making or breaking one or more circuits in which they are connected, or for switching from one circuit to another; they may be known as single pole, double pole, triple pole, etc, according to the number of switch circuits incorporated. This group also includes change-over switches and relay.

The heading includes :

(A) - (B).....

(C) *Relays are electrical devices by means of which the circuit is automatically controlled by a change in the same or another circuit. They are used, for example, in telecommunication apparatus, road or rail signalling apparatus, for control or protection of machine-tool , etc.*

The various types ca be distinguished by, for example :

- (1) *The electrical means of control used : electromagnetic relays, permanent magnet relays, thermos-electric relays, induction relays, electro-static relays, photoelectric relays, electronic relays. Etc.*
- (2) *The predetermined conditions on which they operate: maximum current relays, maximum or minimum voltage relays, differential relays, fast acting cut-out relays, time delay relays, etc.*

.....

Barangan ini mendapat liputan secara khusus dalam PDK 2017 seperti berikut:

85.36 - Electrical apparatus for switching or protecting electrical circuit, or for making connections to or in electrical circuits (for example, switches, relay, fuses, surge suppressors, plugs, socket, lamp-holder and other connectors, junction boxes), for a voltage not exceeding 1,000 volts;

	-	Relays:
8536.41	- -	For a voltage not exceeding 60 V:
8536.41.10 00	- - -	Digital relays
8536.41.20 00	- - -	Of a kind used in radio equipment
8536.41.30 00	- - -	Of a kind used in electric fans
8536.41.40 00	- - -	Other, for a current of less than 16 A
	- - -	Other:
8536.41.91 00	- - - -	Semiconductor or electro-magnetic relays of
8536.41.99 00	- - - -	Other
8536.49	- -	Other:
8536.49.10 00	- - -	Digital relays
8536.49.90 00	- - -	Other