

<p><b>Dagangan</b> : BALANCING VALVE</p> <p>Nama Perdagangan : <i>Manual Presetting Valve MSV-F2</i></p> <p>Jenama : Danfoss</p> <p>Model : MSV-F2</p>	<p><b>Kod Tarif (Perintah Duti Kastam 2012) :</b></p> <p>8481.80 190 (PDK 2012) 8481.80 99 00 (PDK 2017)</p> <p><b>Tarikh Kelulusan</b> : 16 Februari 2017</p>
--	--

**Keterangan barangan :**

Barangan merupakan *balancing valve (manual pre-setting valve)* yang diperbuat daripada cast iron.

Injap ini bukannya jenis gate/sluice valve kerana tiada *gate/wedge* di dalam housingnya.

*Gate valve* adalah seperti berikut:

*Gate valves are widely used for all types of applications and are suitable for both above ground and underground installation. Not least for underground installations it is paramount to choose the right type of valve to avoid high replacement costs.*

*Gate valves are designed for fully open or fully closed service. They are installed in pipelines as isolating valves, and should not be used as control or regulating valves. Operation of a gate valve is performed doing an either clockwise to close (CTC) or clockwise to open (CTO) rotating motion of the stem. When operating the valve stem, the gate moves up or downwards on the threaded part of the stem.*

*Gate valves are often used when minimum pressure loss and a free bore is needed. When fully open, a typical gate valve has no obstruction in the flow path resulting in a very low pressure loss, and this design makes it possible to use a pipe-cleaning pig. A gate valve is a multiturn valve meaning that the operation of the valve is done by means of a threaded stem. As the valve has to turn multiple times to go from open to closed position, the slow operation also prevents water hammer effects.*

*Gate valves can be used for a vast number of fluids such as potable water, wastewater and neutral liquids.*

Perbezaan di antara *Manual balancing valve* dan *gate valve*:

- *gate valve berfungsi sebagai isolating valve and should not be used as control or regulating valves*
- *manual balancing valve berfungsi sebagai device that controls water flow and balances heat and cooling distribution to different locations. Manual balancing valve is either configured in a globe valve pattern or in a Y-pattern and typically includes a hand wheel for manual fine flow regulation,*

Injap ini boleh dipasang untuk aliran sehala atau dua hala. Ia digunakan dalam pelbagai sistem pemanasan, pengaliran dan penyejukan udara (HVAC), seperti unit pengelolaan udara (AHU), gegelung kipas, panel sejuk dan berbagai jenis aplikasi sistem pemanasan berpusat seperti stesen dandang.

Ianya boleh beroperasi di dalam suhu sekitar -10 darjah celsius hingga 150 darjah celsius.

Mempunyai diameter 15mm (1.5cm) hingga 400mm (40cm)

**Ketetapan:**

Ketua Pengarah Kastam Malaysia memutuskan barangan ini sesuai diperjeniskan di bawah no. kod tarif **8481.80.190 (PDK 2012) / 8481.80.99 00 (PDK 2017)** sebagai **other valve of iron or steel** berdasarkan alasan-alasan berikut:

- i. Berdasarkan keterangan dan fakta seperti di para 5.2.1 barangan adalah merupakan sejenis *balancing valve*. Komponen utama diperbuat dari cast iron.
- ii. Berdasarkan **CROSS, NY L83350 (bertarikh 13 April 2015) dan NY J87844 (3 September 2003)** yang menyatakan bahawa barangan seakan sama iaitu *balancing valve* diperjeniskan dibawah kod tarif **8481.80** (rujuk Lampiran 2b dan 2c).
- iii. Barangan ini mendapat liputan **EN HS 2012 muka surat XVI-8481-1** seperti berikut:

**84.81 - Taps, cocks, valves and similar appliances for pipes, boiler shells, tanks, vats or the like, including pressure-reducing valves and thermostatically controlled valves.**

8481.10 - Pressure-reducing valves

8481.20 - Valves for oleohydraulic or pneumatic transmissions

8481.30 - Check (nonreturn) valves

8481.40 - Safety or relief valves

**8481.80 - Other appliances**

8481.90 - Parts

Berdasarkan struktur tarif **Perintah Duti Kastam 2012**, barangan mendapat liputan seperti berikut:

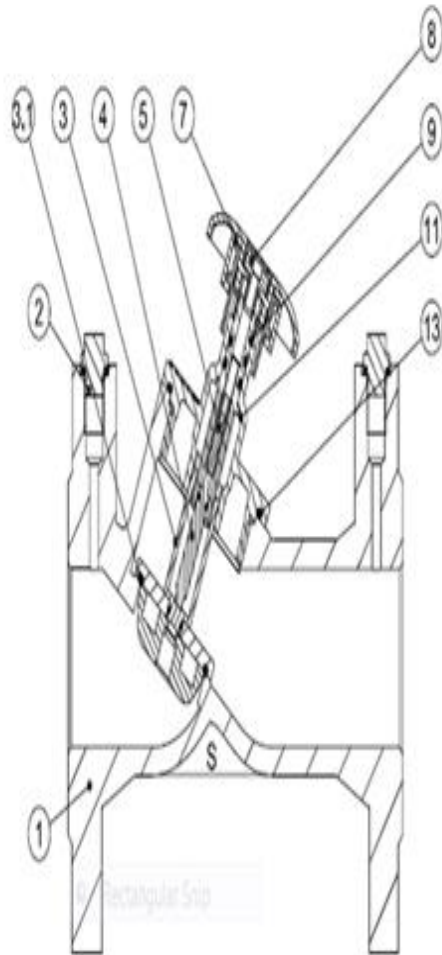
8481.80	- Other appliances:			
	- - Of iron or steel:			
110	- - - Manually operated sluice or gate valves with inlets or outlets of an internal diameter exceeding 5 cm but not exceeding 40 cm	kg	20%	Nil
190	- - - Other	kg	Nil	Nil

Berdasarkan struktur tarif **Perintah Duti Kastam 2017**, barangan mendapat liputan seperti berikut:

8481.80	- Other appliances:			
	- - Valves for inner tubes:			
8481.80.11 00	- - - Of copper or copper alloys	kg	10%	0%
8481.80.12 00	- - - Of other materials	kg	0%	0%
	- - Valves for tubeless tyres:			
8481.80.13 00	- - - Of copper or copper alloys	kg	10%	0%
8481.80.14 00	- - - Of other materials	kg	0%	0%
	- - Liquified Petroleum Gas(LPG) cylinder valves of copper or copper alloys:			
8481.80.21 00	- - - Having inlet or outlet internal diameters not exceeding 2.5 cm	kg	25%	0%
8481.80.22 00	- - - Having inlet or outlet internal diameters exceeding 2.5 cm	kg	0%	0%
8481.80.30 00	- - Cocks and valves, whether or not fitted with piezo-electric igniters, for gas stoves or ranges	kg	0%	0%
8481.80.40	- - Aerated or carbonated liquid bottle valves; valves for gas operated beer dispensing units:			
8481.80.40 10	- - - Of plastics and of not less than 1 cm and not more than 2.5 cm in internal diameter	kg	25%	0%
8481.80.40 90	- - - Other	kg	0%	0%
-----				
.....				
	- - - Other:			
8481.80.91 00	- - - - Water taps of copper or copper alloy, with an internal diameter of 2.5 cm or less	kg	25%	0%
	- - - - Other:			
8481.80.92 00	- - - - Fuel cut-off valves for vehicles of heading 87.02, 87.03 or 87.04	kg	0%	0%
8481.80.99 00	- - - - Other	kg	0%	0%
8481.90	- Parts:			

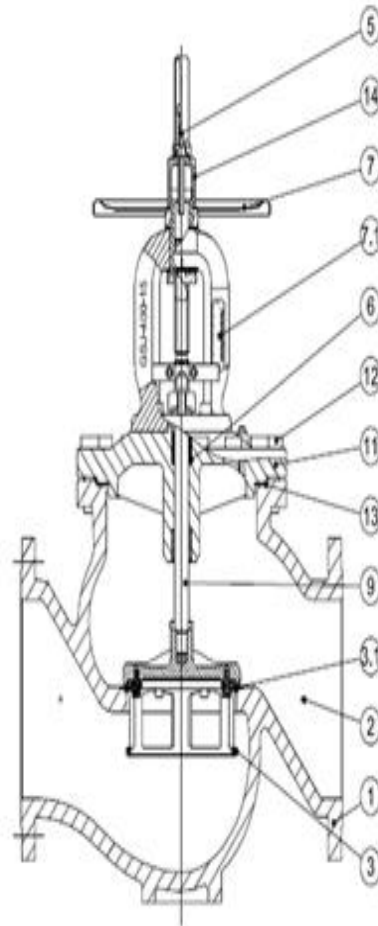
Gambarajah Keratan rentas.

Nominal Diameter (DN)15



- 1 Body EN-GJL250
- 2 Plug G 1/4"
- 3 Valve cone
- 3.1 Seat soft sealing
- 4 Rod
- 5 Stroke limiter/Allen screw
- 6 Gasket
- 7 Handwheel with digital display
  - DN 15 - 150 plastic
  - DN 200 - 400 metal

Nominal Diameter (DN) 200



- 7.1 Display
- 8 Fixed screw
- 9 Spindle
- 10 Stuffing box
- 11 Bonnet
- 12 Allen screw /Hexagon screw
- 13 Flat gasket
- 14 Hood with stroke